

# INSTRUCTION MANUAL

## LSGC-1000

### Lathe Leadscrew Cover Kit - Concertina Up to 1000mm



G659

## G659 Leadscrew Cover Installation Guide

10/8/2013  
Page 1 of 3

**CAUTION** — Safety glasses must be worn at all times during installation as some parts are under compression.



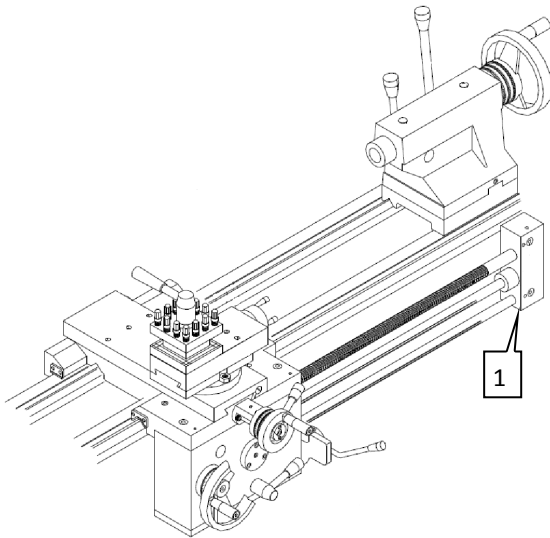
**CAUTION** — The “coil spring” covers are supplied tied with wire. They are under pressure — DO NOT remove wire ties until installation is complete.

**Please note:** This is a generic kit. It may be necessary to vary the orientation of the brackets, modify them or to make adaptor plates to make them work.

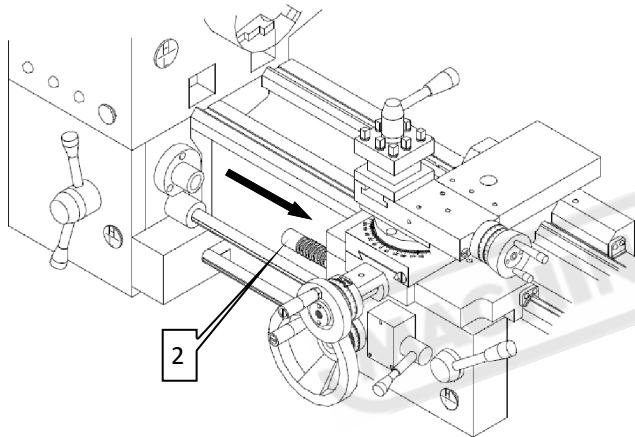
# G659 Leadscrew Cover Installation Guide

10/8/2013  
Page 2 of 3

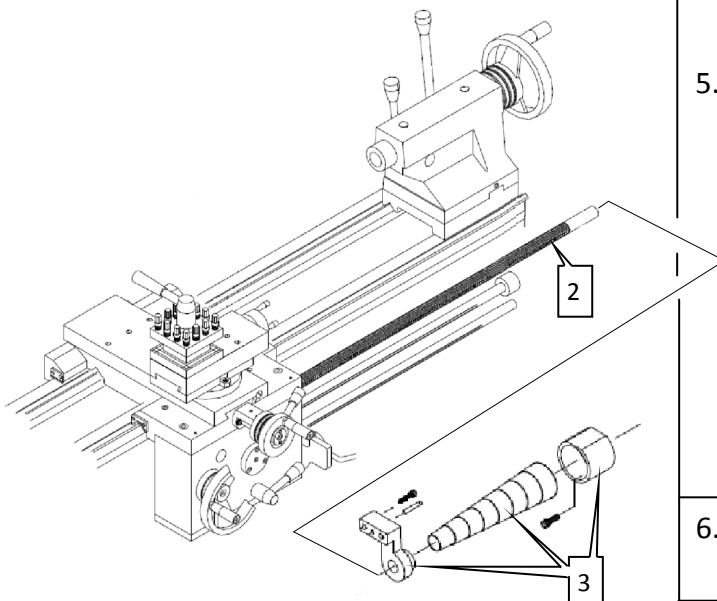
**CAUTION** — The “coil spring” covers are supplied tied with wire. They are under pressure — **DO NOT** remove wire ties until installation is complete.



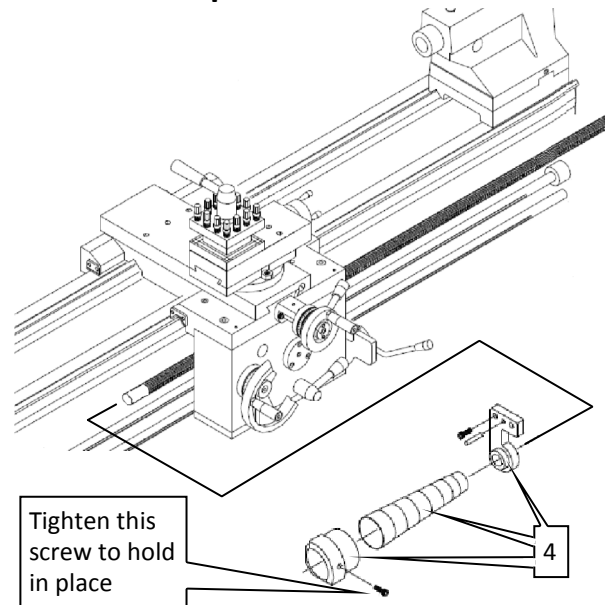
1. Remove Shaft Support Block.



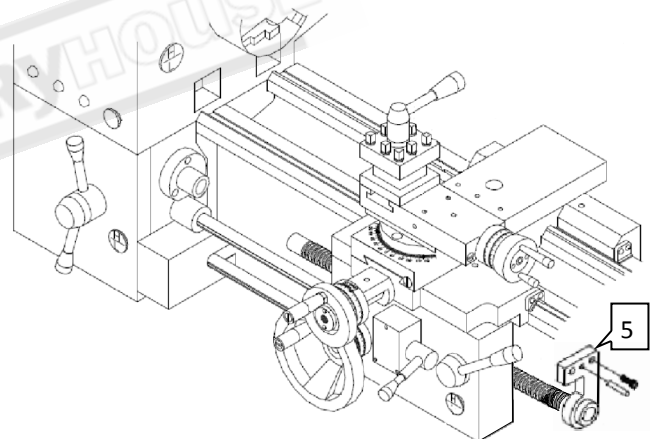
2. Disconnect Leadscrew from gearbox and move approx. 200mm to rear of lathe.



3. Insert the components shown over the tailstock end of the Leadscrew. Keep “coil spring” covers tied.



4. Insert the components shown over the Headstock end of the Leadscrew. Keep “coil spring” covers tied.



5. Fit these 2 brackets to the Carriage. It will be necessary to drill and tap holes. Once the bracket is fitted and is not putting any pressure on the Leadscrew, drill and pin for location.

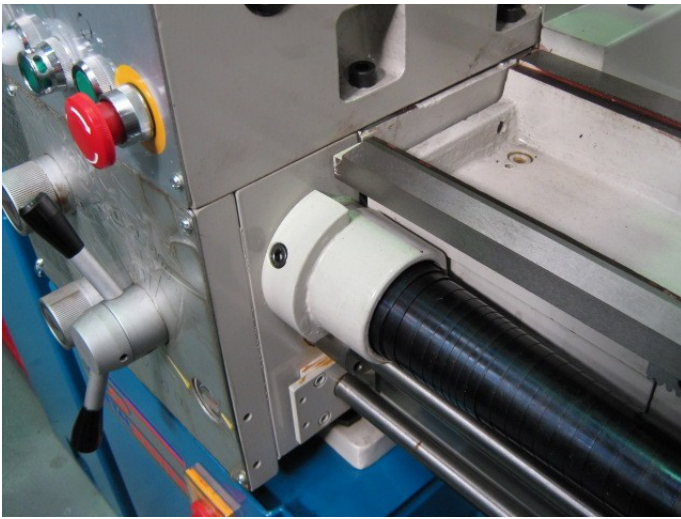
**Please note: This is a generic kit. It may be necessary to vary the orientation of the brackets, modify them or to make adaptor plates to make them work.**

6. Re-attach the Leadscrew and refit the Shaft Support Block.

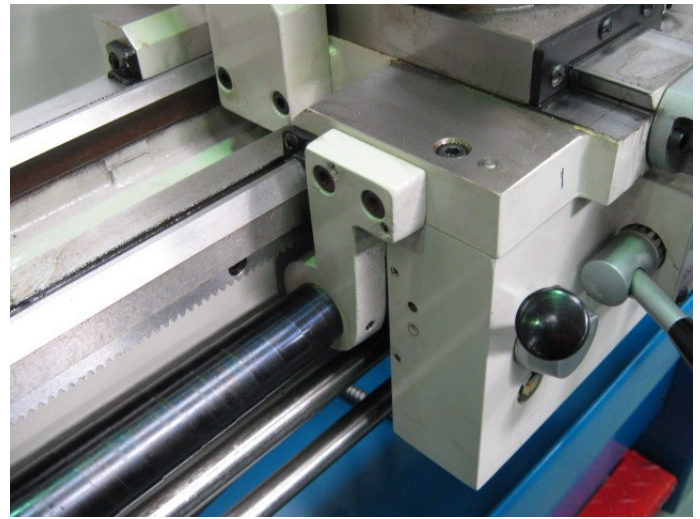
7. Carefully untie the “coil spring” covers and position the ends in the relevant recesses to hold them in place.

# G659 Leadscrew Cover Installation Guide

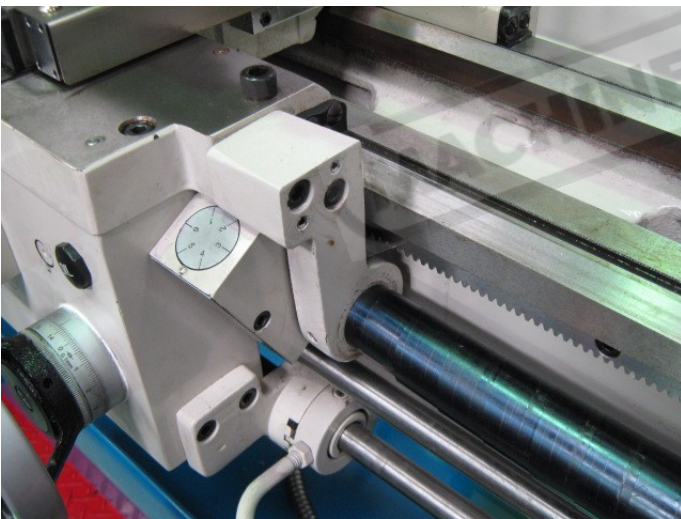
These are examples only of fitting the Leadscrew covers.



Headstock end.



LHS of Carriage.



RHS of Carriage.



Tailstock end.